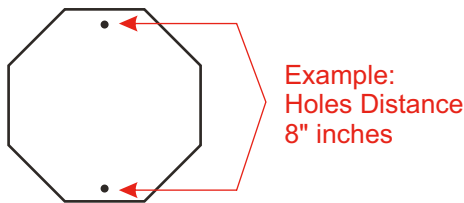




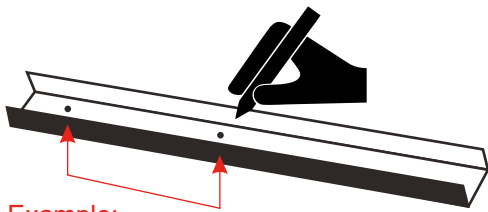
SIGN MOUNTING ON STAKES

Custom Security Signs have been designed for stake mounting, our signs are typically supplied with 2 holes (top and bottom) at 7/32" (0.218") in diameter. When Sign of Security mounts the signs on your behalf we use solid rivets to provide a flush surface when set.

STEPS FOR SIGN MOUNTING ON STAKES HOLE MOUNTING

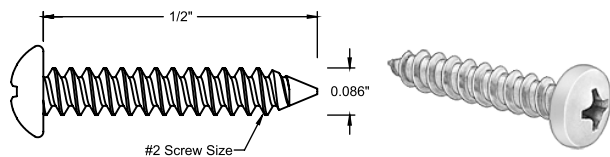


1. Measure the distance between holes on the sign
When text and design allows SOS leaves a 1" spacing between the edge of the sign and the center of the hole

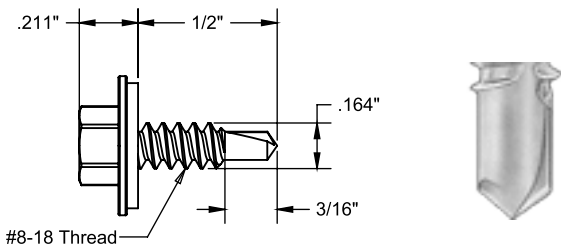


2. Mark the holes location on stake.
Installation can be done 2 different ways, by either drilling holes which will require sheet metal screws when mounting or self tapping screws (no pre-drilling required). In either case, use 1/2" or shorter screws to avoid the screw tip extending past depth of u-channel rails.

U-channel Metal Stake with 7/16" rails



Sheet Metal Screws.
Pointed screws have a pointed end to penetrate thin materials such as sheet metal, and soft materials such as wood and drywall.



Self-Tapping Drilling Screws.
Drilling screws save you time and effort by drilling their own holes, creating reusable threads, and fastening materials in a single operation. Use them to fasten metal.

www.SignsOfSecurity.com

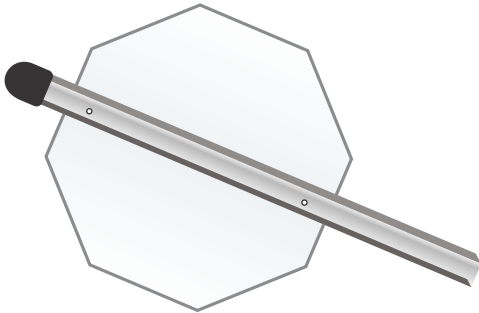


SIGN MOUNTING ON STAKES



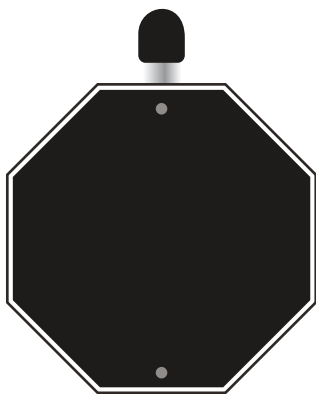
3. Mount sign on flat side of stake

As seen on this photo mounting your sign on the flat side of the stake



4. Proper Mounting

This is the look of a sign properly mounted on stake



5. Ground Mounting

Signs of Security recommends to insert stake at least 6 inches into the ground.



www.SignsOfSecurity.com